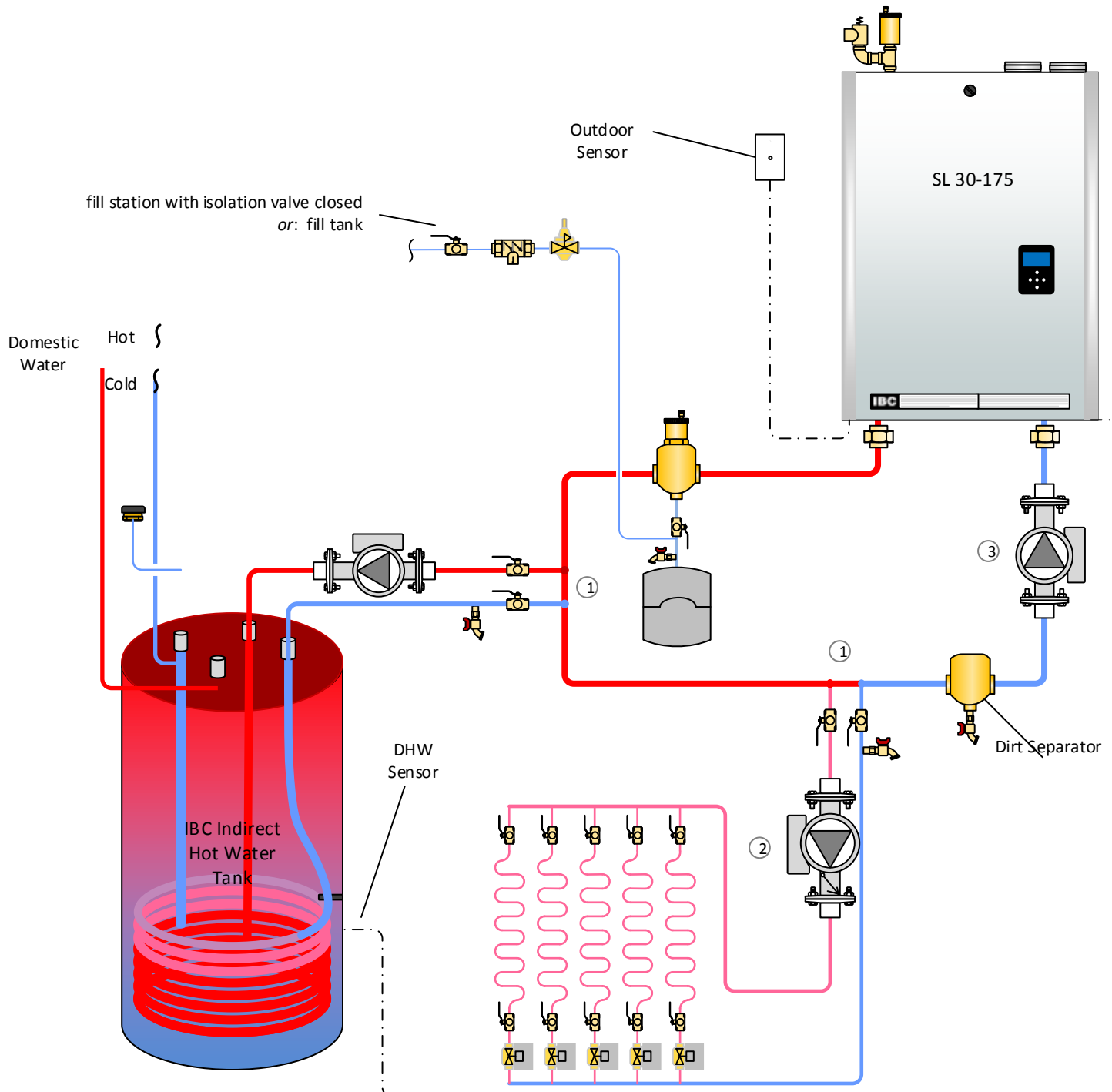


# IBC

## Better Boilers

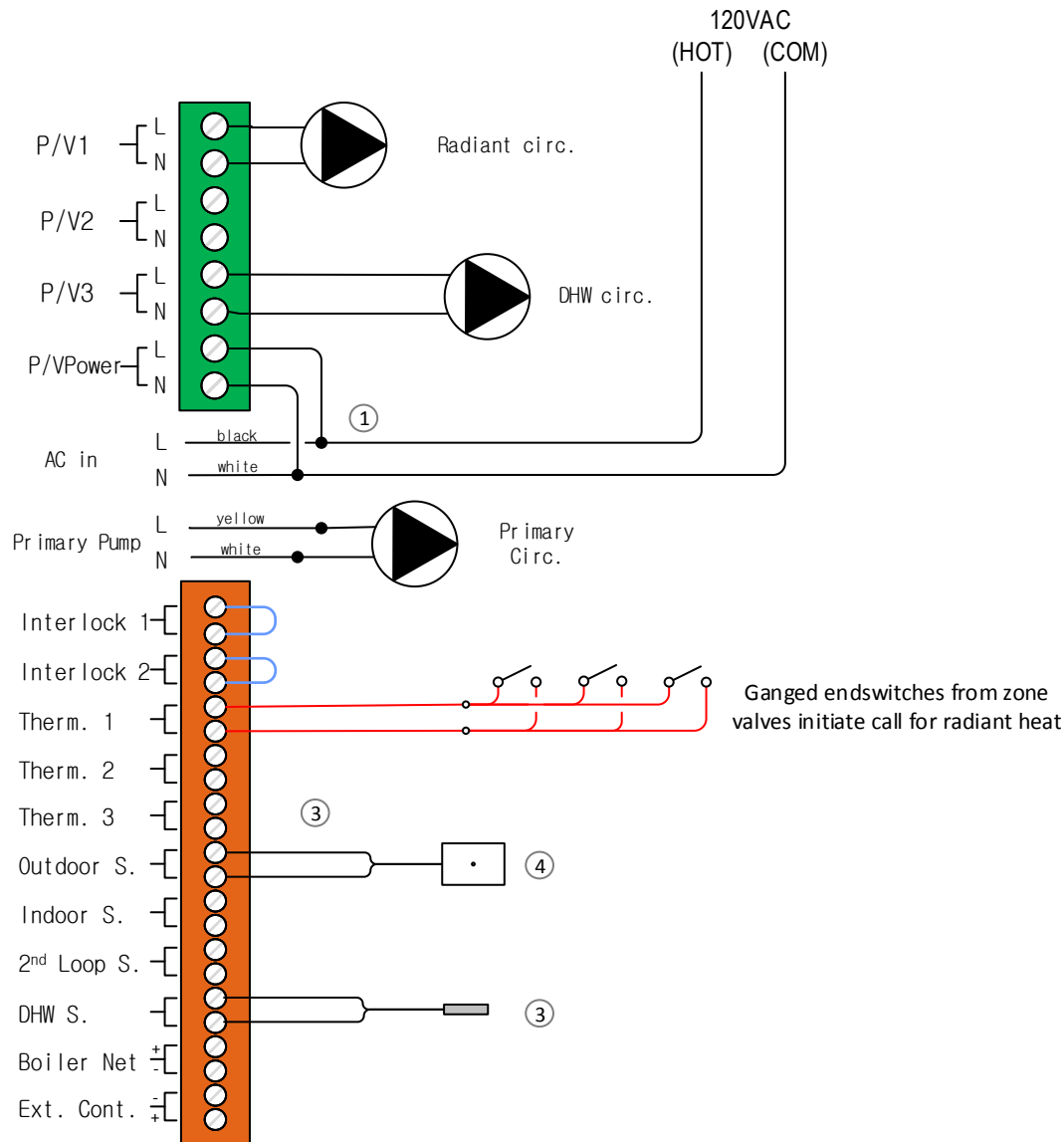


### Notes

- ① – Closely spaced tees are maximum of four primary circuit piping diameters apart, with a minimum of eight pipe diameters of straight tubing upstream of first tee and a minimum of four pipe diameters straight tubing downstream of second tee.
- ② – The boiler can supply radiant floor temperatures without a mixing valve; loads are addressed separately according to field-set priorities. See drawings with load pairing option for design expectation of simultaneous load operation.
- ③ –Boiler pump wired to Primary Circulator leads in boiler; UPS 26-99 or equivalent.

**CAUTION:** This drawing is a simple schematic guide to a successful installation. There may be many necessary components not shown here. We require that our boilers be installed by licensed and experienced trades people who are familiar with the applicable local and national codes. System design is to be completed by an experienced hydronic designer or Engineer. It is necessary to carefully read and follow the installation instructions that come with the boiler along with the application drawing that fits your system.

175 1.2.rfl	SL 30-175 2 loads radiant
DRAWN BY BRAD POULSEN	DATE 10/5/2013
DESCRIPTION Residential installation with domestic hot water and radiant floor heating. DHW receives highest priority operation. Space heating on outdoor reset or setpoint.	
PAGE 1 OF 2	



**Wiring Notes**

- ① – Field-installed pigtails from AC In connection to P/V Power provide line voltage to green pump terminal strip .
- ② –No external voltages to be applied to any orange terminal strip connections.
- ③ – If aquastat is used in indirect tank well, connect to *Therm. 3* terminals; in this case DHW sensor will not be connected.
- ④ –Outdoor sensor installed on North exterior wall , exposed to actual outdoor air temperature.

**Programming Notes**

–In *Installer Setup Menu / Heat Load Configuration*, for all loads: *Maximum Supply Temperature* acts as a high limit. The operating limits *Design Supply Temperature* (for reset heating) or *Supply Set Point* (for Setpoint) must remain below this limit by at least 2°F plus ½ of the Supply Differential Temp; otherwise the boiler will cycle off on a safety limit.

**CAUTION:** This drawing is a simple schematic guide to a successful installation. There may be many necessary components not shown here. We require that our boilers be installed by licensed and experienced trades people who are familiar with the applicable local and national codes. System design is to be completed by an experienced hydronic designer or Engineer. It is necessary to carefully read and follow the installation instructions that come with the boiler along with the application drawing that fits your system.

175 1.2.rfl	SL 30-175 2 loads radiant
DRAWN BY BRAD POULSEN	DATE 10/5/2013
DESCRIPTION Residential installation with domestic hot water and radiant floor heating. DHW receives highest priority operation. Space heating on outdoor reset or setpoint.	
PAGE 2 OF 2	