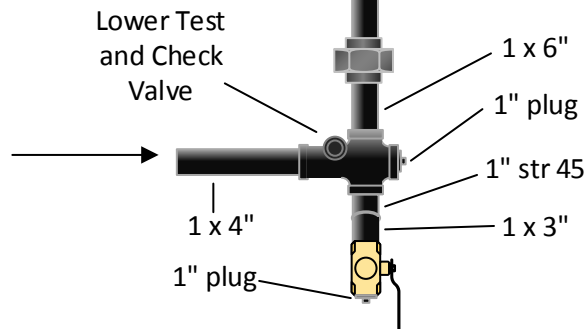


tie into return piping between boiler pump outlet and flex connector drain tee; replace 6" nipple with 1 1/2 x close nipple, 1 1/2 x 1" tee, and 1 1/2 x 2" nipple



IBC 399 LWCO	Multiplex Float LWCO installation
DRAWN BY BRAD POULSEN	DATE 9/7/2013
DESCRIPTION Float-style external LWCO piping kit (P-196) installation for Multiplex racking systems.	