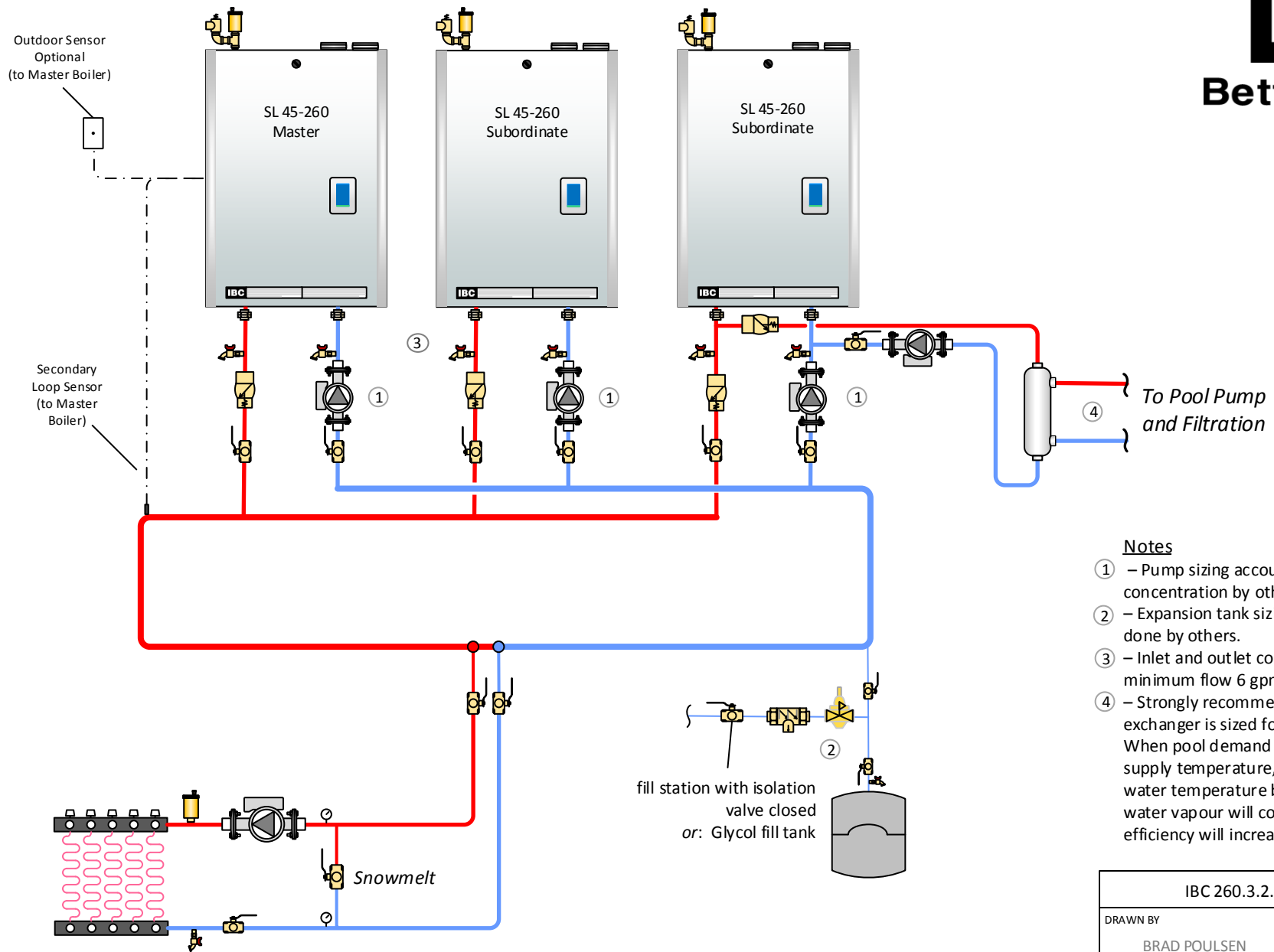




Better Boilers



Notes

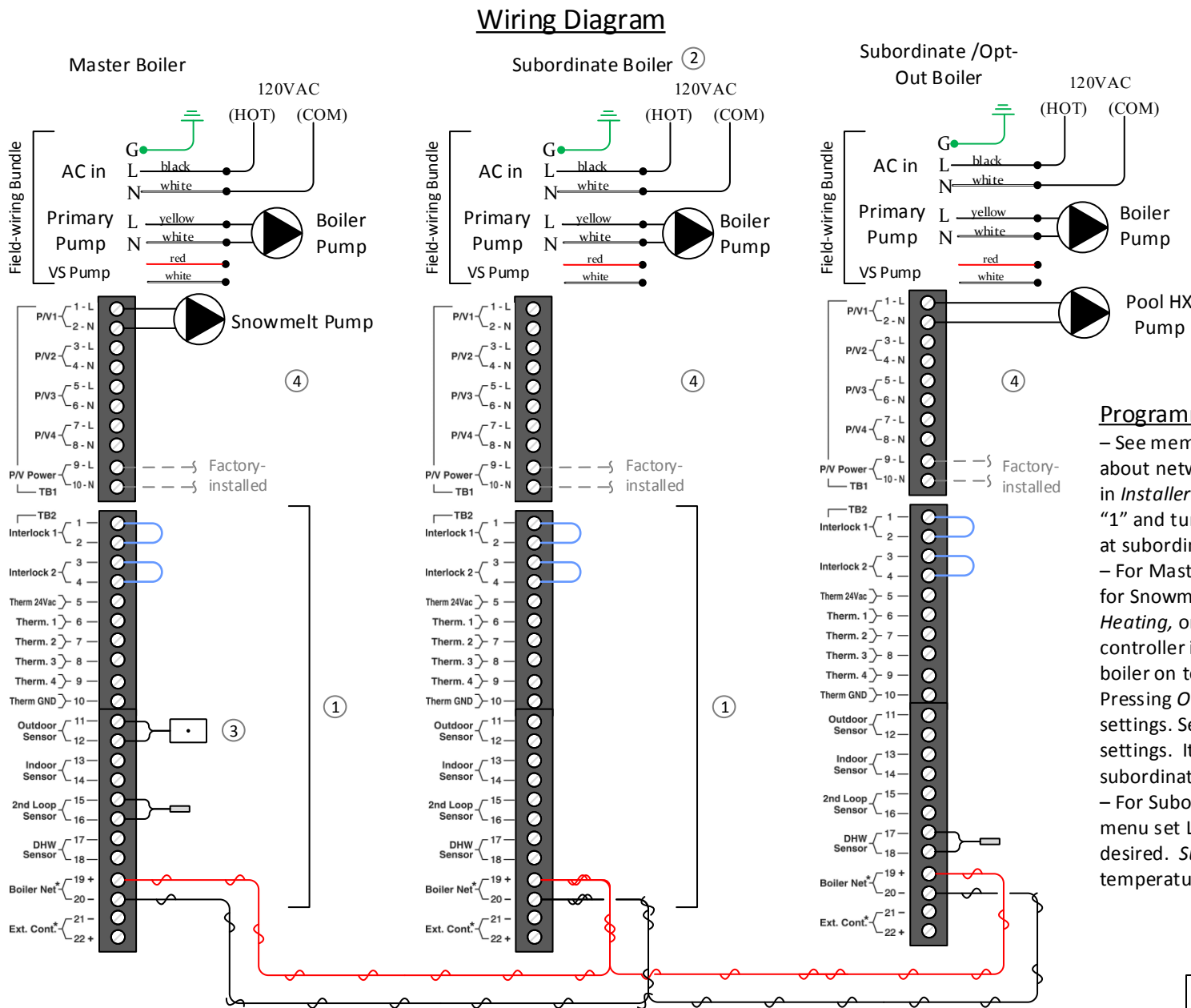
- ① – Pump sizing accounting for glycol concentration by others.
- ② – Expansion tank sizing and pipe sizing to be done by others.
- ③ – Inlet and outlet connections 1 1/2" NPT; minimum flow 6 gpm through each boiler.
- ④ – Strongly recommend shell and tube heat exchanger is sized for condensing operation. When pool demand can be met with modest supply temperature, e.g. 145°F, a return water temperature below 130°F (where flue water vapour will condense) is expected, and efficiency will increase sharply.

CAUTION: This drawing is a simple schematic guide to a successful installation. There may be many necessary components not shown here. We require that our boilers be installed by licensed and experienced trades people who are familiar with the applicable local and national codes. System design is to be completed by an experienced hydronic designer or Engineer. It is necessary to carefully read and follow the installation instructions that come with the boiler along with the application drawing that fits your system.

IBC 260.3.2.reverse-return pool	
DRAWN BY BRAD POULSEN	DATE 23/08/2016
DESCRIPTION Three-boiler network serving snowmelt through a reverse-return primary loop.	
PAGE 1 OF 2	



Better Boilers



Programming Notes

– See memo *Multiple Boiler Systems* for full details about network configuring. For the Master Boiler only, in *Installer Setup Menu / MultiBoiler*, define boiler ID as “1” and turn Master Boiler to Yes and Save. Set boiler ID at subordinate boiler to “2”, leaving *Master Boiler No.*

– For Master Boiler, in *Installer Setup* menu set Load 1 for Snowmelt as desired, as *Setpoint*, or as *Reset Heating*, or as *External Control* (if an third-party controller is sending a 0-10 VDC signal to the master boiler on terminals 21 and 22, *External Control*). Pressing OK button opens menu to enter temperature settings. Set *Water ° From* to *Secondary Loop*. Save settings. It is not necessary to enter these values on the subordinate boilers.

– For Subordinate / Opt-Out Boiler, in *Express Setup* menu set Load 1 as *Setpoint*. Adjust *Boiler Supply* as desired. *Summer Shutdown* should not be below pool temperature. Set *Boiler Pump* to *Off*. Save settings.

Wiring Notes

- ① – No external voltages to be applied to TB2 control terminal strip connections 1-20.
- ② – Jumper JA02 to be removed from board of this non-terminal boiler only. See tech memo *Multiple Boiler Systems* or *Touch-Screen Controller manual* p. 25 for illustration of JA02 location.
- ③ – Outdoor sensor installed on a North-facing exterior wall, exposed to actual ambient temperature.
- ④ – Pump circuits are fused for a total draw of 5A; maximum amperage draw of 4A is recommended.
- ⑤ – Boiler network wires are polarity-sensitive, and must be twisted once per inch, and not be routed parallel to line voltage wires

CAUTION: This drawing is a simple schematic guide to a successful installation. There may be many necessary components not shown here. We require that our boilers be installed by licensed and experienced trades people who are familiar with the applicable local and national codes. System design is to be completed by an experienced hydronic designer or Engineer. It is necessary to carefully read and follow the installation instructions that come with the boiler along with the application drawing that fits your system.

IBC 260.3.2.reverse-return pool	
DRAWN BY BRAD POULSEN	DATE 23/08/2016
DESCRIPTION Three-boiler network serving snowmelt through a reverse-return primary loop.	
PAGE	2 OF 2