



*Energy
Saving
Technologies*

BoilerNet Interface Controller

Features and Specifications

Processor

- 600MHz ARM Cortex-A8

Memory

- 256 MB RAM
- 256 MB Flash
- SD Flash card file system (min. 2GB storage, SDHC supported)

Power Requirements

- Controller board: 5 VDC @ 7.5W
- 100 to 240 VAC power supply options available
- Power Over Ethernet (PoE) capable

Enclosures

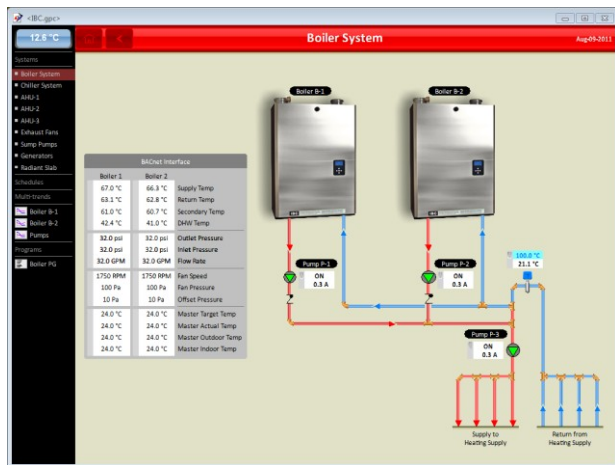
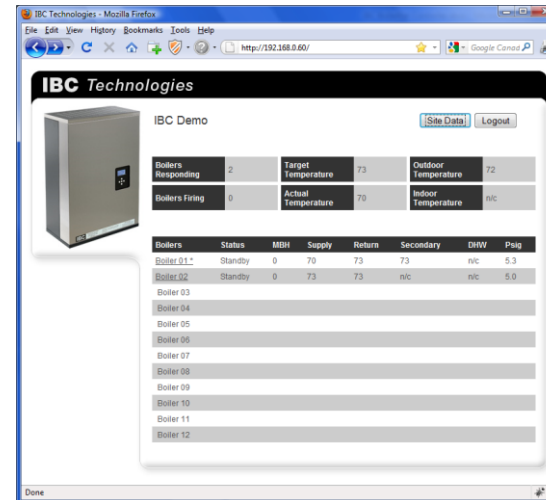
- NEMA and standard enclosure options are available

Communications

- Ethernet 10/100 Base-T interface, TCP/IP v4 (v6 capable)
- BACnet/IP via Ethernet interface
- BoilerNet 2-wire interface supports up to 24 IBC boilers

Web Server

- Provides full, remote, interactive control of all boiler functions over intranets or the internet.
- Compatible with most popular Web browsers.



BACnet/IP

- Allows IBC Boilers to be integrated with most popular BACnet software packages and systems.

Additional Features

- Built-in Telnet and FTP servers allow for easy remote access, data transfers, and future enhancements.
- All software updates performed using SD Flash card.

BACnet Object List

Object Name	Units	Object ID	Commandable
Boiler xx Supply Temp.	°C	AI1001	
Boiler xx Return Temp.	°C	AI1002	
Boiler xx Secondary Temp.	°C	AI1003	
Boiler xx DHW Temp.	°C	AI1004	
Boiler xx Outlet Pressure	psi	AI1005	
Boiler xx Inlet Pressure	psi	AI1006	
Boiler xx Flow Rate	Gal/min	AI1007	
Boiler xx Fan Speed	rev/min	AI1008	
Boiler xx Fan Pressure		AI1009	
Boiler xx Offset Pressure		AI1010	
Boiler xx Stack Temp.	°C	AI1011	
Boiler xx MBH	btus/hr	AV1001	
Boiler xx Power On Hours	hrs	AV1002	
Boiler xx Burner On Hours	hrs	AV1003	
Boiler xx Load 1 On Hours	hrs	AV1004	
Boiler xx Load 2 On Hours	hrs	AV1005	
Boiler xx Load 3 On Hours	hrs	AV1006	
Boiler xx Ignition Starts		AV1007	
Boiler xx Ignition Trials		AV1008	
Boiler xx Load 1 Cycles/Day		AV1009	
Boiler xx Load 2 Cycles/Day		AV1010	
Boiler xx Load 3 Cycles/Day		AV1011	
Boiler xx Delta Pressure		AV1012	
Boiler xx Required Pressure		AV1013	
Boiler xx Var Speed Duty Cycle		AV1014	
Boiler xx Remote On Hours	hrs	AV1015	
Boiler xx Outdoor Temp.	°C	AV1016	✓
Boiler xx Indoor Temp.	°C	AV1017	✓
Boiler xx Supply Setpoint	°C	AV1018	✓
Boiler xx Remote Input		AV1019	
Boiler xx Inlet/Outlet Sensor		BV1001	
Boiler xx Remote Loop Sensor		BV1002	
Boiler xx Cleaning Required		BV1003	

Object Name	Units	Object ID	Commandable
Boiler xx Anti-Cycling		BV1004	
Boiler xx Short Cycling		BV1005	
Boiler xx Comm. Status		BV1006	
Boiler xx Master Boiler		BV1007	
Boiler xx Primary Pump		BV1008	
Boiler xx P/V 1		BV1009	
Boiler xx P/V 2		BV1010	
Boiler xx P/V 3		BV1011	
Boiler xx Occupied		BV1012	✓
Boiler xx Setback 1		BV1013	✓
Boiler xx Setback 2		BV1014	✓
Boiler xx Setback 3		BV1015	✓
Boiler xx Enable		BV1016	✓
Boiler xx Thermostat 1		BV1017	✓
Boiler xx Thermostat 2		BV1018	✓
Boiler xx Thermostat 3		BV1019	✓
Boiler xx Operating Status		MV1001	
Boiler xx Error Message		MV1002	
Boiler xx Service Mode		MV1003	✓
Boiler xx Boiler Model		MV1004	
Boiler xx Load 1 Type		MV1005	✓
Boiler xx Load 2 Type		MV1006	✓
Boiler xx Load 3 Type		MV1007	✓
Master Target Temp.	°C	AI1101	
Master Actual Temp.	°C	AI1102	
Master Boilers Responding		AV1101	
Master Boilers Firing		AV1102	
Master Outdoor Temp.	°C	AV1103	✓
Master Indoor Temp.	°C	AV1104	✓
Master Supply Setpoint	°C	AV1105	✓
IBC BoilerNet		DEVxxxx	

Subject to change without notice