
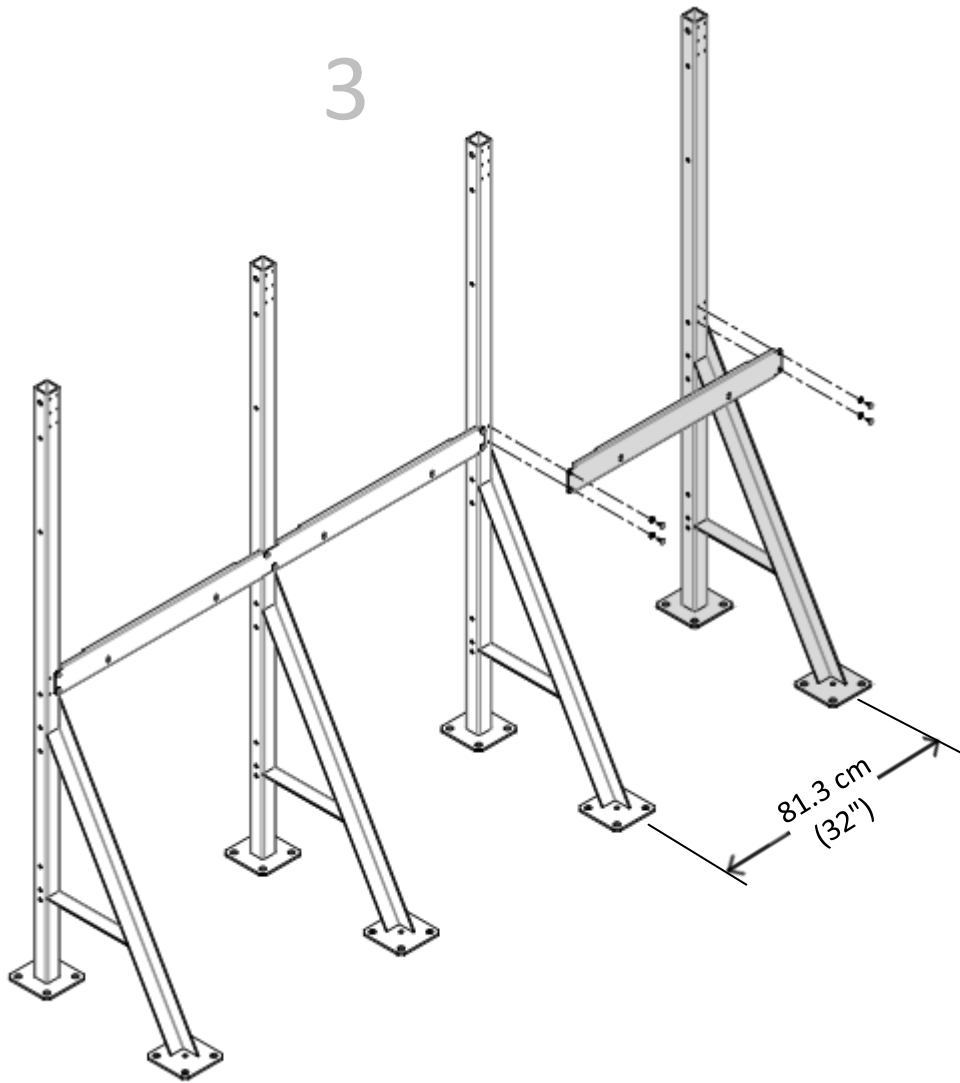


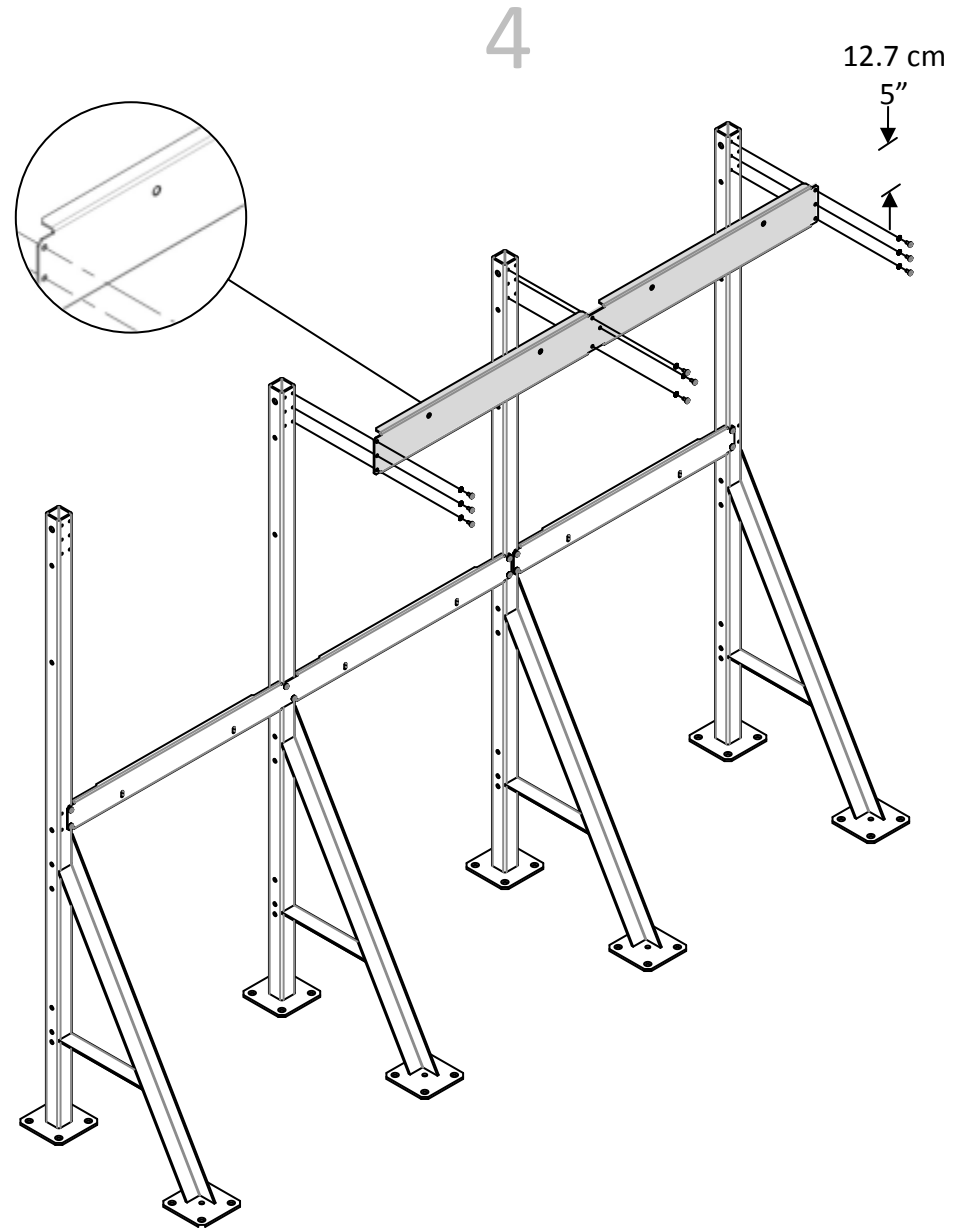
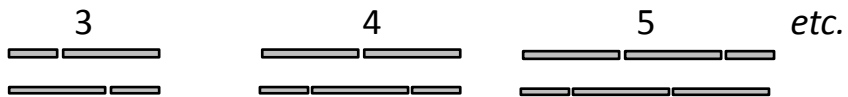
All fasteners ¼"-20 x ½" Cap Screw and ¼" lock washer unless otherwise noted.


ALLOW SLACK FOR ALL FASTENERS STEPS 1-6.

	TITLE	DATE
	RA-01	21/06/2013
DESCRIPTION	PAGE	
ASSEMBLY INSTRUCTIONS FOR MULTIPLEX RACKS	1 OF 6	

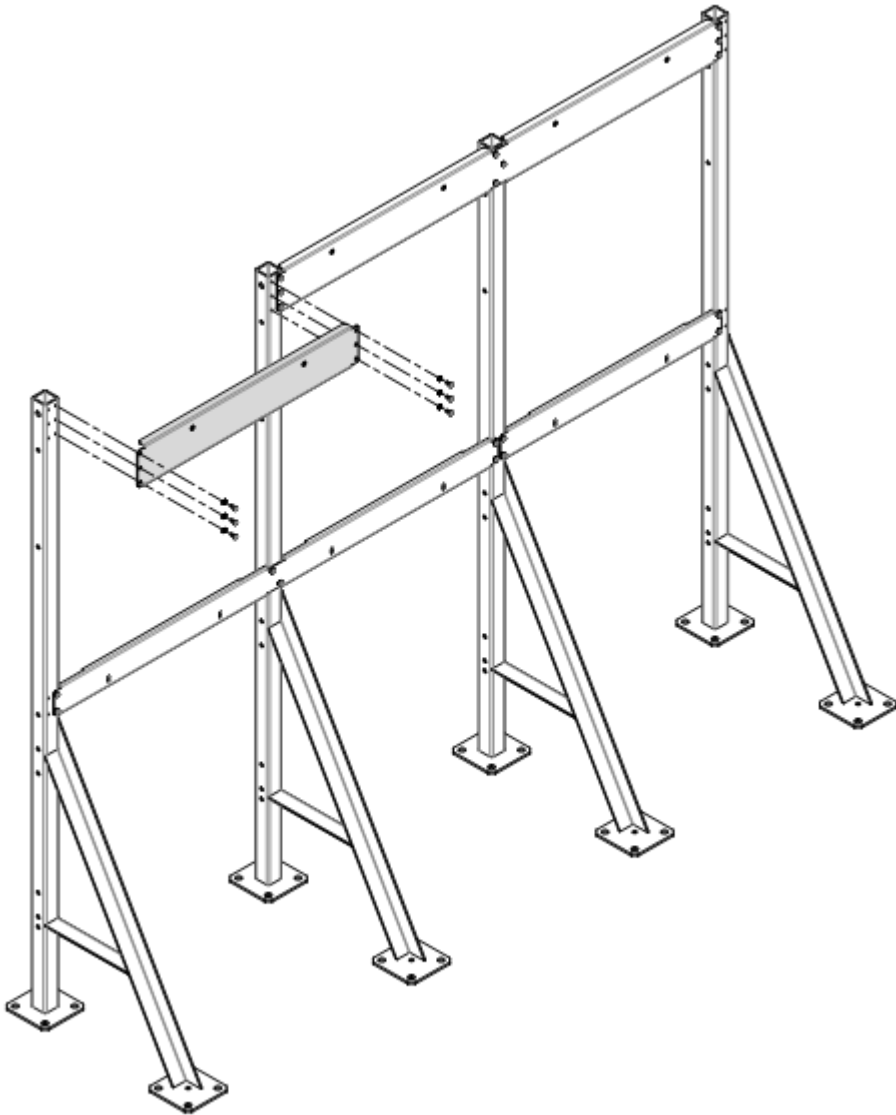


3-boiler rack assembly is shown as typical—
FOR ARRAYS OF 3 OR MORE BOILERS,
STAGGER UPPER AND LOWER PANEL JOINTS:

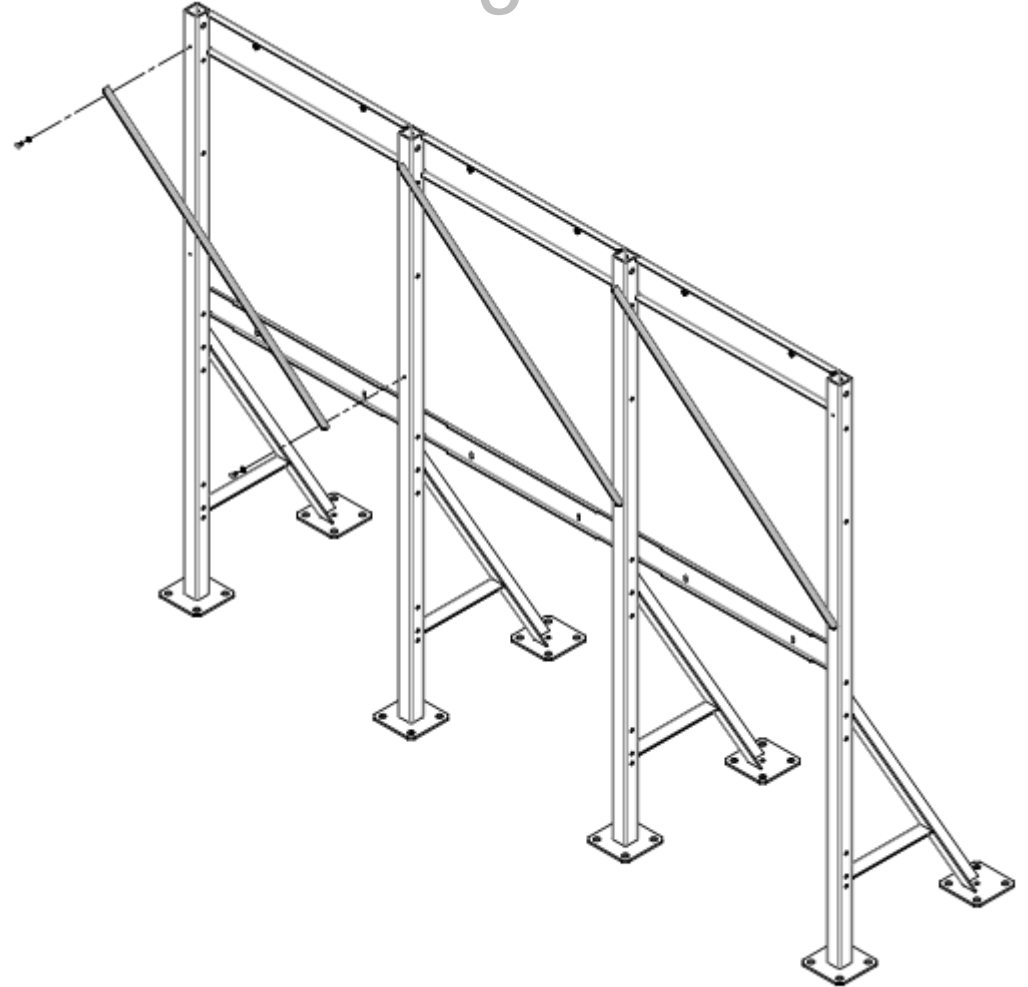


	TITLE	DATE
	RA-01	21/06/2013
DESCRIPTION	PAGE	
ASSEMBLY INSTRUCTIONS FOR MULTIPLEX RACKS	2 OF 6	

5

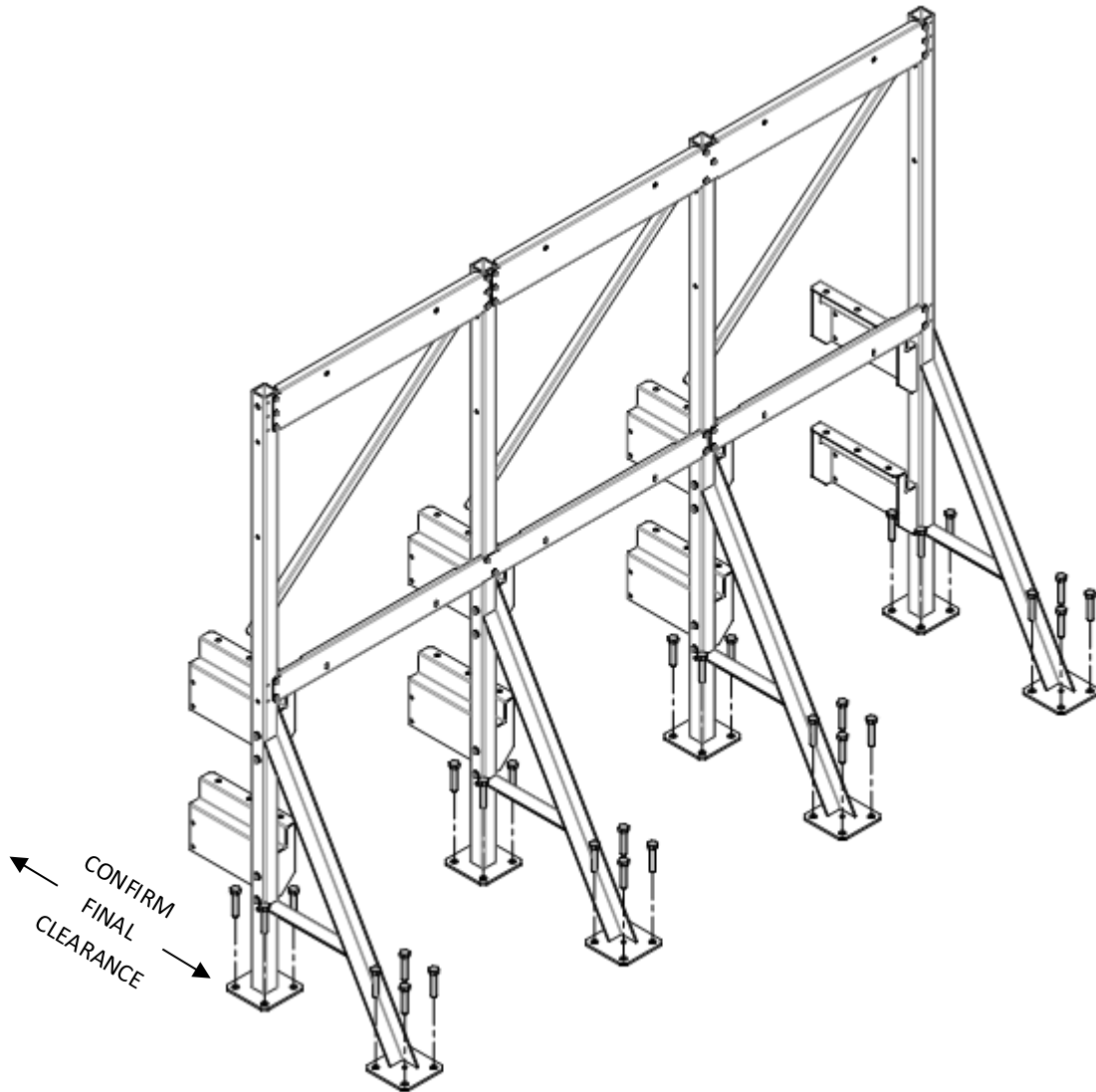


6



IBC Better Boilers	TITLE	RA-01	DATE	21/06/2013
	DESCRIPTION	ASSEMBLY INSTRUCTIONS FOR MULTIPLEX RACKS		PAGE

7

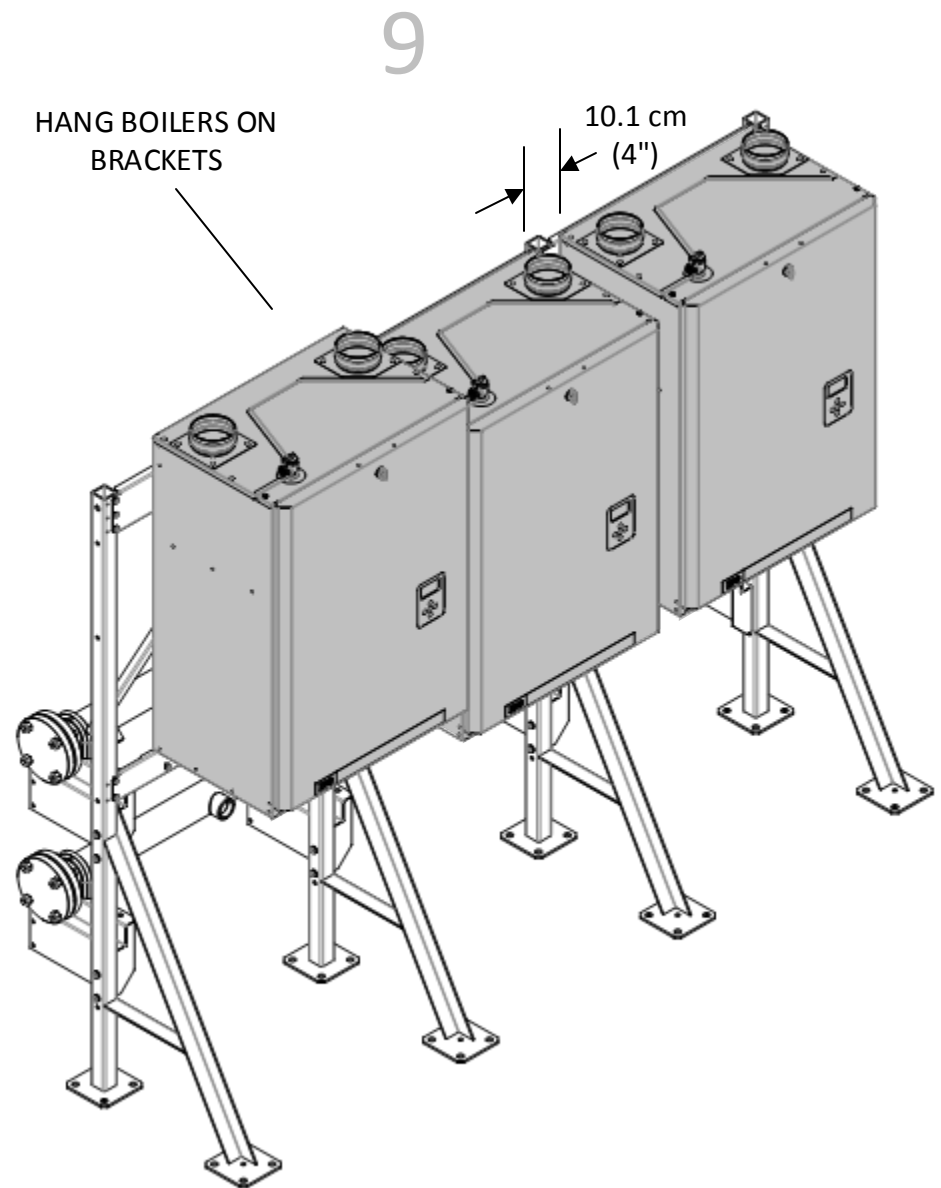
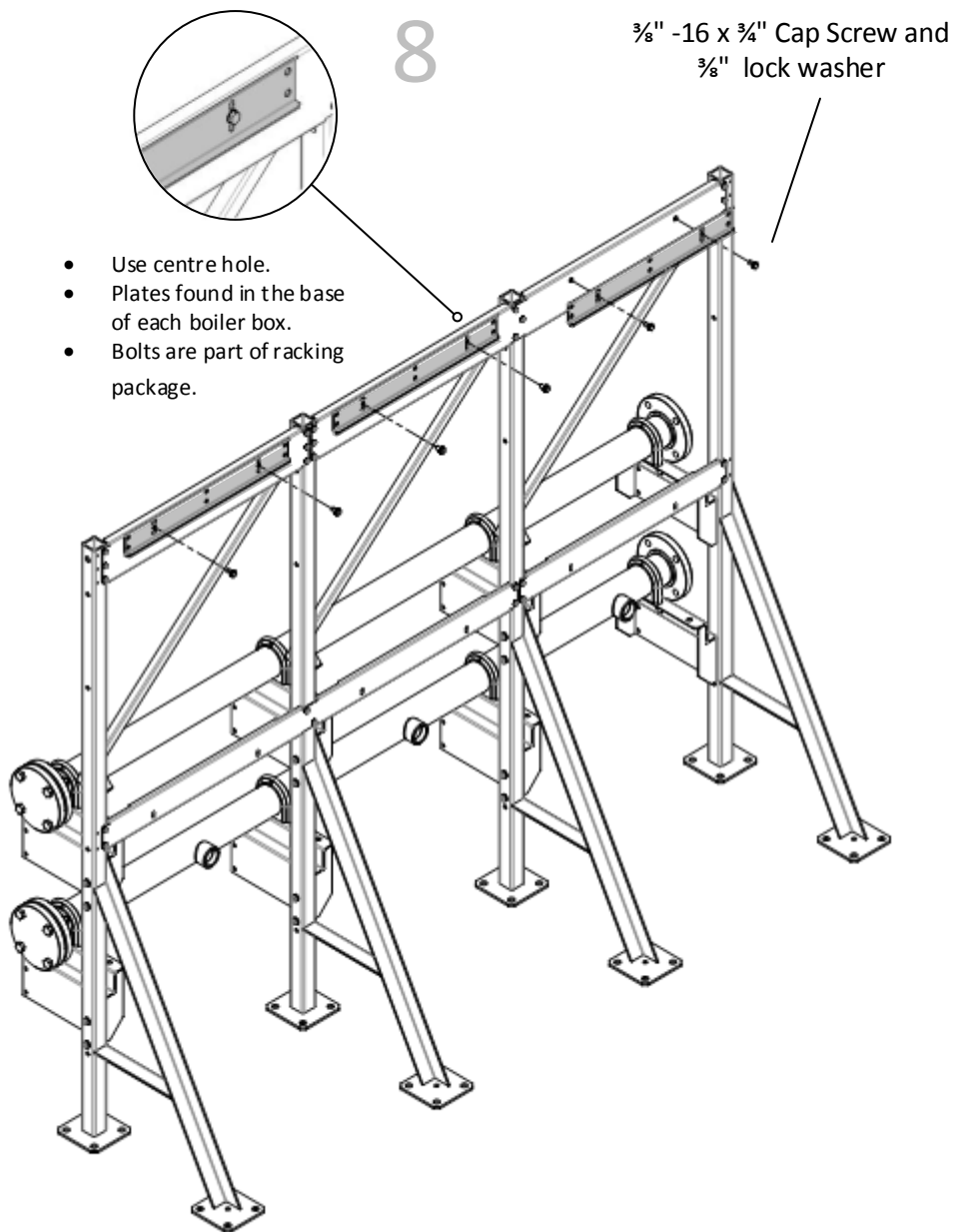


CONFIRM
FINAL CLEARANCES, SHIM AS
NECESSARY AND **BOLT ALL
LEGS TO FLOOR.**
CONTRACTOR TO SUPPLY
FLOOR FASTENERS.


NOW TIGHTEN ALL FASTENERS
FROM STEPS 1-6.

IBC Multiplex Header Brackets shown—not included

IBC Better Boilers	TITLE	DATE
	RA-01	21/06/2013
DESCRIPTION	PAGE	
ASSEMBLY INSTRUCTIONS FOR MULTIPLEX RACKS	4 OF 6	



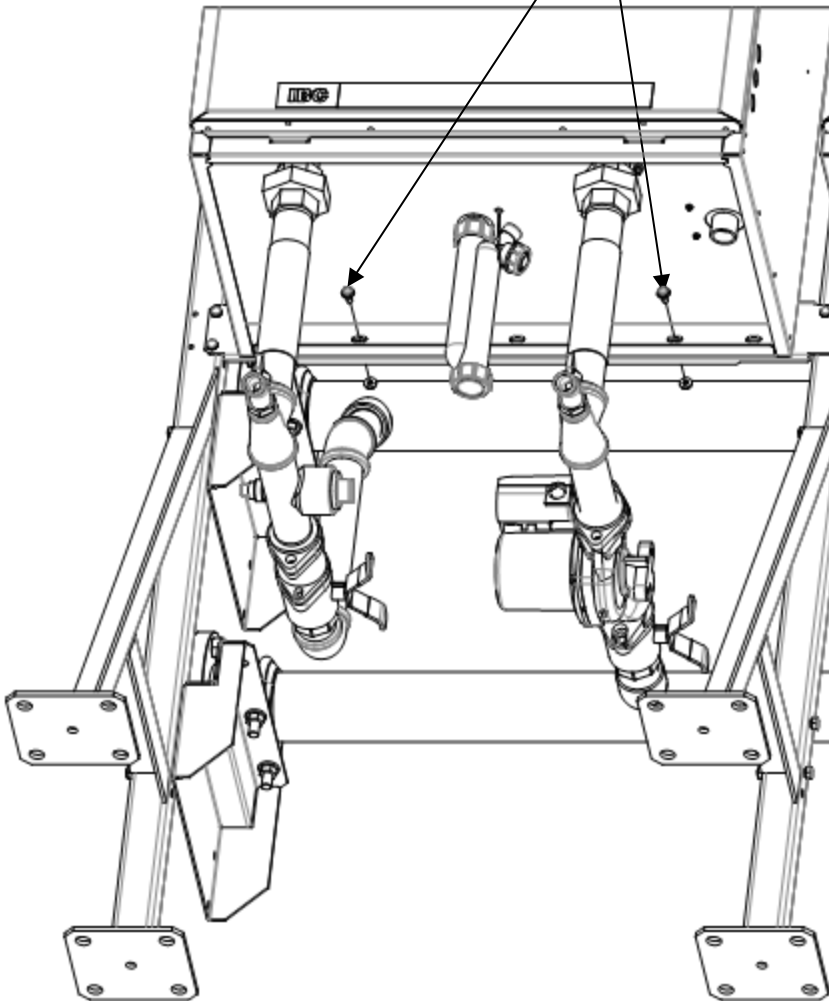
*IBC Multiplex Headers and Header Brackets
shown—not included*

	TITLE	DATE
	RA-01	21/06/2013
DESCRIPTION	PAGE	
ASSEMBLY INSTRUCTIONS FOR MULTIPLEX RACKS	5 OF 6	

10

NOTES

- *IBC Multiplex Boiler piping shown—not included*
- AFFIX BOILERS TO BOTTOM BRACKET
¼"-20 x ¾" Cap Screw and ¼" Flat Washer
with ¼"-20 Nut and ¼" Flat Washer



IBC Better Boilers	TITLE	DATE
	RA-01	21/06/2013
DESCRIPTION	PAGE	
ASSEMBLY INSTRUCTIONS FOR MULTIPLEX RACKS	6 OF 6	